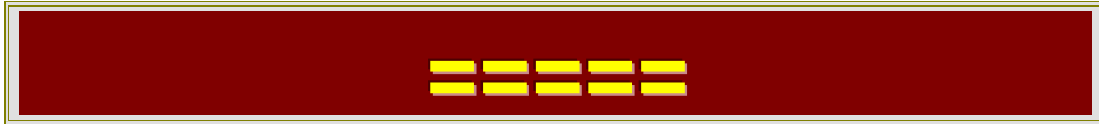


# HRODC Ltd.



## HRODC Ltd QUOTATION



With Kindest Regards,

A stylized, handwritten signature in gold ink, appearing to read "R. B. Crawford".

**Prof. Dr. R. B. Crawford**  
**Chief Executive**



---

Human Resource and Organisational Development Consultancy (HRODC) Ltd. Registered in England No. 6088763.

**Registered Office:** 122A Bhylls Lane, Castlecroft, Wolverhampton, West Midlands WV3 8DZ, UK

Prof. Dr. R. B. Crawford

PhD (London), MEd.M. (Bath), Adv. Dip. Ed. (Bristol), PGCIS (TVU), ITC (UWI), MAAM, MAOM, LESAN, MISGS. Visiting Prof. P.U.P.  
Chief Executive & Chief Consultant – HRODC Ltd.



V.A.T. # 8958 765 38

<p><i>Wolverhampton (HQ)</i></p>	<p><b>HRODC Ltd.</b></p>	<p><i>London Office</i></p>
<p>122A Bhylls Lane, Wolverhampton, WV3 8DZ, UK Telephone: +44 (0) 1902 763 607 +44 (0) 1902 569133 Mobile: +44 (0) 7736 147507 E-mail:consult@hrod-consultancy.com sales@hrod-consultancy.com Website: http://www.hrod-consultancy.com</p>		<p>328 Linen Hall, 162-168 Regent Street, London. W1B 5TD, UK Tel: +44 (0) 20 84809628 Mobile: +44 (0) 7736 147507 E-mail:consult@hrod-consultancy.com sales@hrod-consultancy.com Website: http://www.hrod-consultancy.com</p>
<p><b>Human Resource and Organisational Development Consultancy (HRODC) Ltd.</b></p>		

# Card Machine Quotation

<b>To:</b>	
<b>Quotation #</b>	
<b>Req. Ref.</b>	NA
<b>Date Issued:</b>	
<b>Validity Period:</b>	30 Days
<b>Prepared By:</b>	Prof. Dr. R. B. Crawford
<b>Number of Pages:</b>	

## HRODC Ltd – Legal Parameter

Human Resource and Organisational Development Consultancy (HRODC) Ltd is Registered in England, with Registration Number 6088763. Its VAT Registration is: 8958 765 38. It is directly accountable to, and monitored by, several government agencies, including Companies House, an Executive Agency of the Department for Business, Enterprise and Regulatory Reform (BERR). All 'Offices' of HRODC Ltd, including National Representatives are subject to public scrutiny and transparency. Its Registered Office is 122A Bhylls Lane, Castlecroft, Wolverhampton, West Midlands WV3 8DZ, UK, with Office in London UK. It has National Representatives in Nigeria, Ghana, Cameroon, United Arab Emirates (UAE), Kingdom of Saudi Arabia, among others. Prof. Dr. R. B. Crawford, PhD (London), MEd.M. (Bath), Adv. Dip. Ed. (Bristol), PGCIS (TVU), ITC (UWI), MAAM, MAOM, LESAN, MISGS. Visiting Prof. P.U.P. is its Chief Executive.

Human Resource and Organisational Development Consultancy (HRODC) Ltd. Registered in England No. 6088763. 2

**Registered Office:** 122A Bhylls Lane, Castlecroft, Wolverhampton, West Midlands WV3 8DZ, UK

Prof. Dr. R. B. Crawford

PhD (London), MEd.M. (Bath), Adv. Dip. Ed. (Bristol), PGCIS (TVU), ITC (UWI), MAAM, MAOM, LESAN, MISGS. Visiting Prof. P.U.P.  
Chief Executive & Chief Consultant – HRODC Ltd.



V.A.T. # 8958 765 38

# Quotation

Column Number						
Row No.	1	2	3	4	5	6
	Product or Service	Product/ Service #	Short Description	Quantity	Unit Price	Total Cost in US\$
1.	Screen Printer	HRODC_SP3	HRODC_SP3 Automatic PCL Silk Screen Printing Machine .ne. 54,400 CR80 Cards Per Hour	1	\$120,000.00	\$120,000.00
2.	Screen Tension Machine	HRODC_STM1	This machine is equipped with 12-screen lightener, with a 1,000 mm x 1,000 mm frame, enhancing equal or variable tension distribution.	1	\$16,000.00	\$16,000.00
3.	Exposure Machine	HRODC_EXM1	HRODC_EXM1 - Flat Exposure Machine	1	\$14,000.00	\$14,000.00
	UV Series UV Illuminating & Solidifying	HRODC_UV1	Effective UV curing at high speed, and its speed combined with efficiency.	1	\$22,000.00	\$22,000.00
<b>Several Similar Machines Are Available</b>						
<b>Subtotal</b>	Excluding Installation and training					
<b>Delivery</b>	<b>Free Port-To-Port International Delivery</b>					
<b>V.A.T.</b>	Europeans Only					
<b>Grand Total</b>						
<b>Payment Terms</b>	<ol style="list-style-type: none"> <li>1. The prices, above, exclude installation and training. These costs will be advised at your request.</li> <li>2. At least 50% of the cost of each machine, in excess of US\$40,000.00 requires a deposit of 50% by Telegraphic Transfer (TT) or bank counter credit, at the time of order. The remaining 50%, by Irrevocable Letter of Credit (ILC), is required one week before shipment of the complete item.</li> <li>3. 100% of the cost of items of up to US\$40,000.00 is required at the time of order.</li> <li>4. Bank details for payment will be supplied on the Proforma Invoice,.</li> </ol>					

Human Resource and Organisational Development Consultancy (HRODC) Ltd. Registered in England No. 6088763. 3

**Registered Office:** 122A Bhylls Lane, Castlecroft, Wolverhampton, West Midlands WV3 8DZ, UK

Prof. Dr. R. B. Crawford

PhD (London), MEd.M. (Bath), Adv. Dip. Ed. (Bristol), PGCIS (TVU), ITC (UWI), MAAM, MAOM, LESAN, MISGS. Visiting Prof. P.U.P.  
Chief Executive & Chief Consultant – HRODC Ltd.



V.A.T. # 8958 765 38

# Product Description

## Start of HRODC\_SP3 Automatic Flat Screen Printer Description

### Screen Printer



**HRODC\_SP3 – Automatic Screen Printer**

Human Resource and Organisational Development Consultancy (HRODC) Ltd. Registered in England No. 6088763. 4

**Registered Office:** 122A Bhylls Lane, Castlecroft, Wolverhampton, West Midlands WV3 8DZ, UK

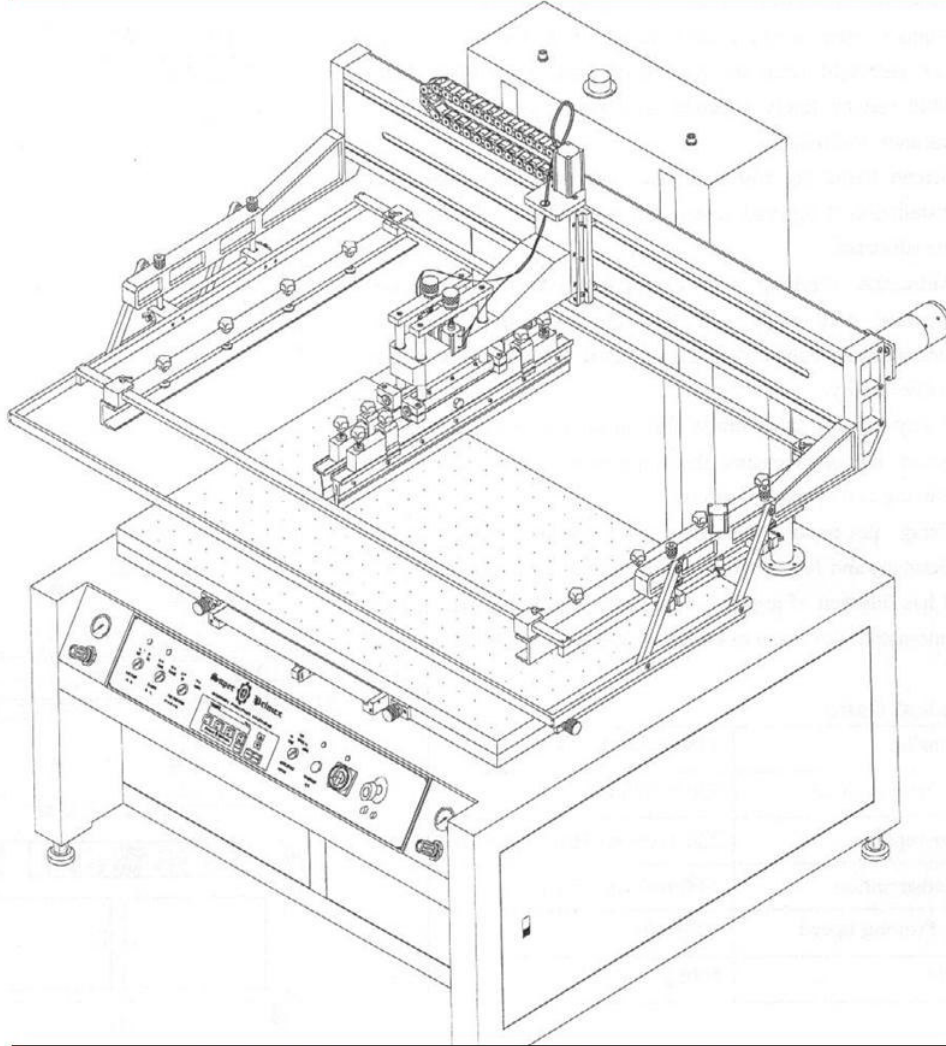
Prof. Dr. R. B. Crawford

PhD (London), MEd.M. (Bath), Adv. Dip. Ed. (Bristol), PGCIS (TVU), ITC (UWI), MAAM, MAOM, LESAN, MISGS. Visiting Prof. P.U.P.  
Chief Executive & Chief Consultant – HRODC Ltd.



V.A.T. # 8958 765 38

## HRODC\_SP3 Automatic Flat Hot-Stamping Machine



## HRODC\_SP3 Technical Drawing

**Registered Office:** 122A Bhylls Lane, Castlecroft, Wolverhampton, West Midlands WV3 8DZ, UK

Prof. Dr. R. B. Crawford

PhD (London), MEd.M. (Bath), Adv. Dip. Ed. (Bristol), PGCIS (TVU), ITC (UWI), MAAM, MAOM, LESAN, MISGS. Visiting Prof. P.U.P.  
Chief Executive & Chief Consultant – HRODC Ltd.



V.A.T. # 8958 765 38

## HRODC\_AP3 Automatic Flat Screen Printer Description

1. HRODC\_AP3 is an exceptionally High Quality, Large, Industrial, Automatic Flat Screen Printing Machine, with a vacuum table. It is highly durable, reliable, easy to operate and maintain. Its durability and reliability is aided by Siemens Programmable Logic Controller (PLC).
2. Its usability incorporates the printing of circuit boards, membrane switches, PVC boards generally, credit cards, decorating scenery woodblocks, glass lenses, packing paper boxes, lamp box advertisements and all kinds of flat and thin formed products.
3. Using motor simultaneously with rectilinear guide rail to power squeegee, it avoids vibration during printing and ink scraping. This facility also ensures that the system operates smoothly, with stability and precision. Increasing the scope of professional print finish is the fact that the stroke and speed of printing and scraping can be adjusted.
4. The stainless steel working table surface of HRODC\_AP3 Silk Screen Printer incorporates a vacuum facility. The 'left and right', 'front and rear' positions, and angle of the working table can be finely adjusted. Positioning is, therefore, easy, flexible, accurate and reliable.
5. The machine facilitates the use of both large and small screen frames, in excess of A1 size. It also has a large work area, independent of the substrate printing area.
6. The automatic scraping and reapplying ink are an important feature of HRODC\_AP3 Screen printing Machine. The ink squeegee's pressure and angle can be adjusted and be automatically balanced, to ensure that equal printing pressure is applied to the substrate.
7. With safety at work in perspective, HRODC\_AP3 is adorned with a number of safety features – incorporating table brake, foot pedal and emergency push button.
8. High quality pneumatic elements, built-in counter, jogging, single step, single circulation, and high-level automation are features contributing to the favourable choice position that HRODC\_AP3 Screen Printer has attained, in the face of its avid competitors.

---

Human Resource and Organisational Development Consultancy (HRODC) Ltd. Registered in England No. 6088763. 6

**Registered Office:** 122A Bhylls Lane, Castlecroft, Wolverhampton, West Midlands WV3 8DZ, UK

Prof. Dr. R. B. Crawford

PhD (London), MEd.M. (Bath), Adv. Dip. Ed. (Bristol), PGCIS (TVU), ITC (UWI), MAAM, MAOM, LESAN, MISGS. Visiting Prof. P.U.P.  
Chief Executive & Chief Consultant – HRODC Ltd.



V.A.T. # 8958 765 38

## HRODC\_SP3 Automatic Screen Printer Specification

1. Maximum Printing Area: 950 X 700mm.
2. Maximum Printing Speed: 600 items per hour
3. Maximum Card printing Speed: 50,400 CR80 Card Per Hour
4. Wattage: 220V/ 110V 60/50Hz.
5. Air Consumption: 35 litres per minute
6. Machine Dimensions: 1,450 X 1,400 X 1,858 mm.
7. Total Machine Weight: 800 Kg.

**End of HRODC\_SP3 Automatic Screen Printer Description**

---

Human Resource and Organisational Development Consultancy (HRODC) Ltd. Registered in England No. 6088763. 7

**Registered Office:** 122A Bhylls Lane, Castlecroft, Wolverhampton, West Midlands WV3 8DZ, UK

Prof. Dr. R. B. Crawford

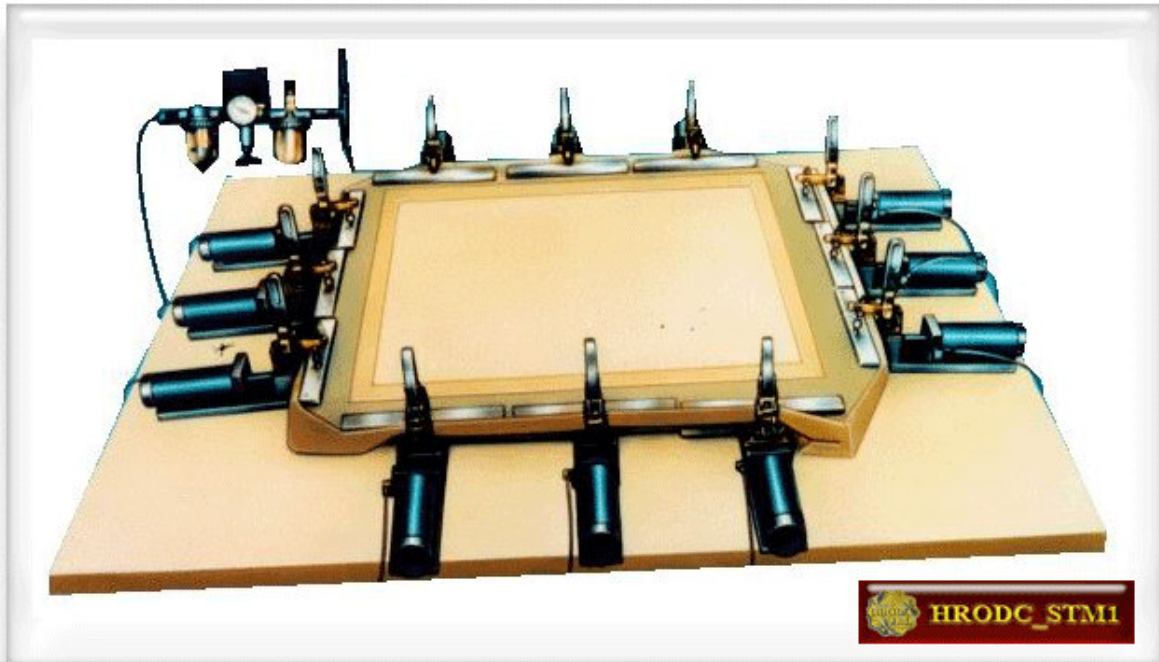
PhD (London), MEd.M. (Bath), Adv. Dip. Ed. (Bristol), PGCIS (TVU), ITC (UWI), MAAM, MAOM, LESAN, MISGS. Visiting Prof. P.U.P.  
Chief Executive & Chief Consultant – HRODC Ltd.



V.A.T. # 8958 765 38

## Start of Screen Tension Machine Description

### HRODC\_STM1 Screen Tension Machine



### HRODC\_STM1 Screen Tension Machine

- ❖ This machine is equipped with 12-screen lightener, with a 1,000 mm x 1,000 mm frame, enhancing equal or variable tension distribution
- ❖ Screen tension is facilitated by specifically configured air pipes and associated instrument
- ❖ Designed to enhance the aesthetic appearance of printed substrate

#### HRODC\_STM1 Screen Tension Machine Technical Specifications

<b>Max. Dimensions of the screen frame (mm)</b>	Length = 1,000 mm Width = 1,000 mm
<b>Max. Stroke of cylinder (mm)</b>	250
<b>Working Pressure Of The Pneumatic Circuit (mpa)</b>	0.3-0.6

## End of Screen Tension Machine Description

Human Resource and Organisational Development Consultancy (HRODC) Ltd. Registered in England No. 6088763. 8

**Registered Office:** 122A Bhylls Lane, Castlecroft, Wolverhampton, West Midlands WV3 8DZ, UK

Prof. Dr. R. B. Crawford

PhD (London), MEd.M. (Bath), Adv. Dip. Ed. (Bristol), PGCIS (TVU), ITC (UWI), MAAM, MAOM, LESAN, MISGS. Visiting Prof. P.U.P.  
Chief Executive & Chief Consultant – HRODC Ltd.



V.A.T. # 8958 765 38

## Start of Exposure Machine Description



### HRODC\_EXM1 - Flat Exposure Machine

#### Description

- A timer automatically controls exposure. The customer can adjust exposure time according to the requirement.
- As there is an automatic shield inside, after the first stencil exposure you can continue without shutting down the light. This will not only increase working efficiency but also extend the lamp lifetime.
- An exhauster as cooling system is built in to extend the lamp lifetime.
- Imported lamp, rubber cover and accessories ensure stable and reliable quality.
  - \* Max. Screen Stencil Size: 1200x1000mm
  - \* Power Supply: 380V/50Hz
  - \* Lamp Wattage: 3KW
  - \* Outline Dimensions: 1450x1550x1230mm(LxWxH)
  - \* Weight: 180kg

## End of Exposure Machine Description

Human Resource and Organisational Development Consultancy (HRODC) Ltd. Registered in England No. 6088763. 9

**Registered Office:** 122A Bhylls Lane, Castlecroft, Wolverhampton, West Midlands WV3 8DZ, UK

Prof. Dr. R. B. Crawford

PhD (London), MEd.M. (Bath), Adv. Dip. Ed. (Bristol), PGCIS (TVU), ITC (UWI), MAAM, MAOM, LESAN, MISGS. Visiting Prof. P.U.P.  
Chief Executive & Chief Consultant – HRODC Ltd.



V.A.T. # 8958 765 38

## Start of UV Drying Machine Description

### HRODC\_UV1 - UV Drying Machine



### HRODC\_UV1 Ultraviolet (UV) Curing Machine

#### Description

- Effective UV curing at high speed
- Speed combined with efficiency
- Robustly engineered belt withstands high temperature, friction and emitting radiation of operating mechanism
- Built-in temperature regulator enhances the life of the machine
- Speed control mechanism
- Machine can operate using only 1, 2 or all 3 UV Curing Bulbs

#### HRODC\_UV1 Ultraviolet (UV) Curing Machine - Technical Specifications

<i>Maximum Transport Width</i>	1,050 mm
<i>Effective curing width (mm)</i>	900 mm
<i>Transport Speed</i>	70 metres per minute
<i>Power of lamp Wattage</i>	7.2 Kw each
<i>Number of UV Lamps</i>	3
<i>Total Power</i>	24.2 KW
<i>Machine Dimensions (L×W×H)(mm)</i>	Length = 2,700 mm / Width = 1,360 mm / Height = 1,320 mm
<i>Machine Weight</i>	800 kg

## End of UV Drying Machine Description

Human Resource and Organisational Development Consultancy (HRODC) Ltd. Registered in England No. 6088763.

**Registered Office:** 122A Bhylls Lane, Castlecroft, Wolverhampton, West Midlands WV3 8DZ, UK

Prof. Dr. R. B. Crawford

PhD (London), MEd.M. (Bath), Adv. Dip. Ed. (Bristol), PGCIS (TVU), ITC (UWI), MAAM, MAOM, LESAN, MISGS. Visiting Prof. P.U.P.  
Chief Executive & Chief Consultant – HRODC Ltd.

10



V.A.T. # 8958 765 38

**Additional  
Comments**

NA

**With Kindest Regards,**



**Prof. Dr. R. B. Crawford  
Chief Executive**

